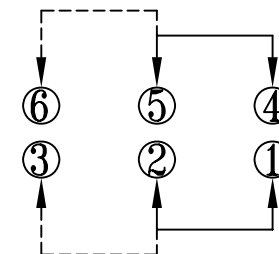
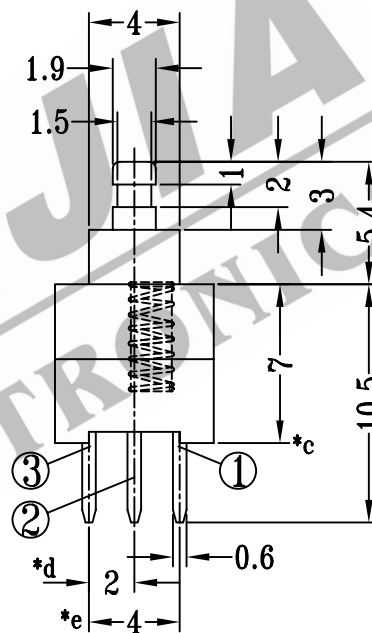
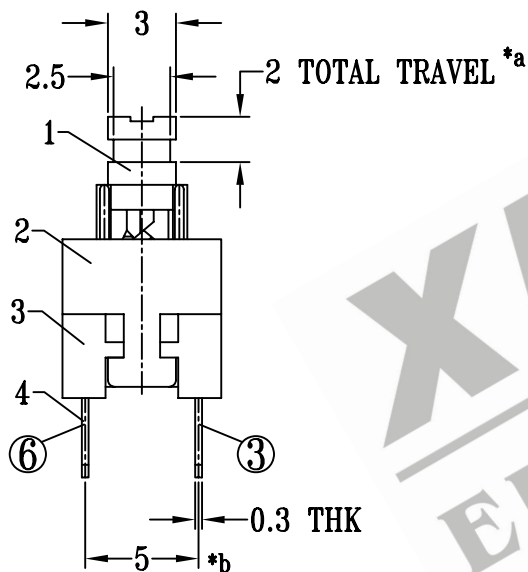
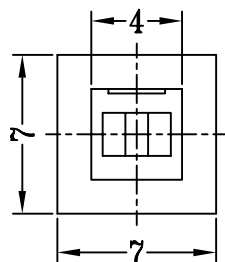
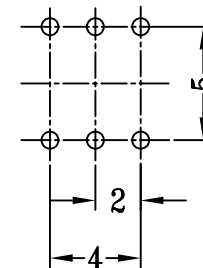


CAD FILE:



SCHEMATIC (NON-SHORTING)



P.C.B LAYOUT

注:带*表示关键尺寸(5个)

NO.	PART NAME	MATERIAL	Q'TY	FINISHING	TOLERANCE UNLESS SPECIFIED	SHENZHEN XIEJIA ELECTRONICS CO.,LTD.						
8						ISSUE		DATE		DESCRIPTIONS		APPD.
7	CAM STICK	STAINLESS STEEL	1	WASHING	WITHIN: 1.5±0.1mm	TITLE : VERTICAL PUSH SWITCH		UNIT : MM	DRWG NO.:XJ-DR-PB22E37-00			
6	SPRING	STAINLESS STEEL	1	TEMPER	OVER : 1.5±0.2mm	MODEL: PB-22E37		SCALE: 3 : 1	DWN.	ZHOUYU	2005-3-22	
5	CONTACT CLIP	PBS	2	Ag CLAD					CHK'D	FANGYING	2005-3-22	
4	TERMINAL	PBT/BRASS STRIP	2	BLACK/Ag PLATED OVER Ni PLATED		ALL MATERIALS MUST BE COMPLIANT TO ROHS			APPD.	KANGXINAN	2005-3-22	
3	CASE	PBT	1	BLACK								
2	COVER	POM	1	WHITE								
1	KNOB	POM	1	BLUE/BLACK/WHITE/GREY								